

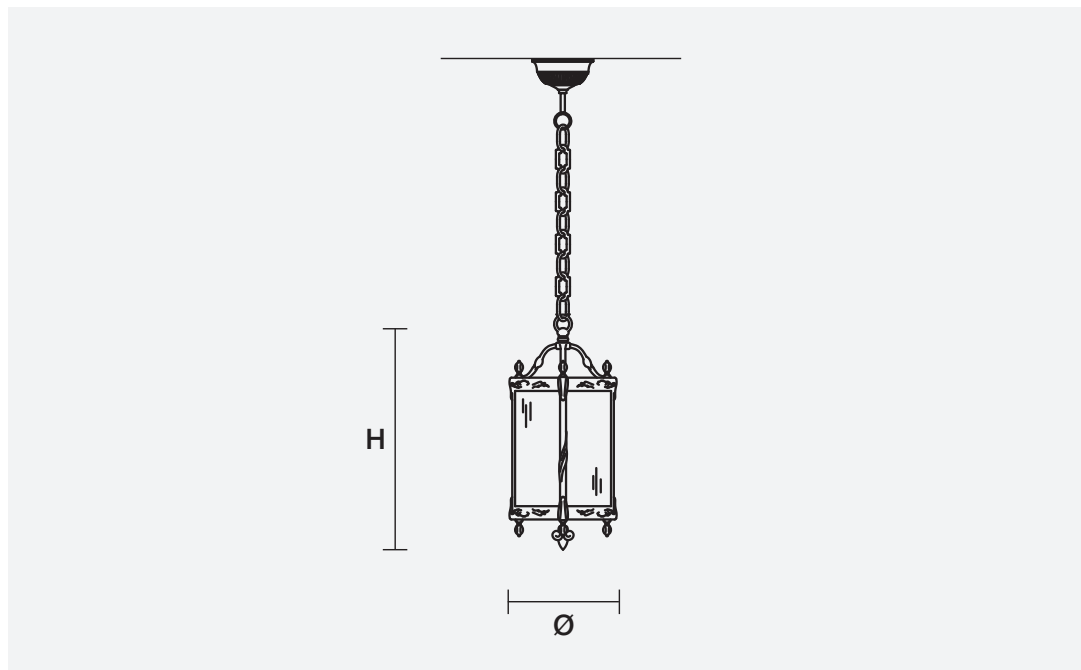
BRASS & SPOTS VE 1066 S3

Design by: Studio Stile Masiero



Telaio in ottone dorato.


Gold plated solid brass frame.



H 44 cm
17.32"

L 20 cm
7.87"

Peso: 3 kg

 3 x E14 x 40W max
Incandescenza/Incandescent



MATERIALI MATERIALS

CUT CRYSTAL

Pendagli in cristallo trasparente molato.

Pendants in transparent cut crystal.

SWAROVSKI® ELEMENTS

Pendagli in cristallo trasparente SWAROVSKI® ELEMENTS.

Pendants in transparent SWAROVSKI® ELEMENTS crystal.

HALF CUT GLASS

Pendagli in vetro semi-molato.

Half cut glass pendants.