

Heathfield&Co

Product Specification Sheet

CEILING LIGHT | KHAI



PRODUCT INFORMATION

Base Code: PD-KHAI-BRNZ-SMOK

Material: Glass & Metal

Metalwork: Blackened Bronze

Finish shown: Smoke

TECHNICAL INFORMATION

Weight: 2.6kg / 5.7lbs

Switching & Plug: Hardwired

Lamping: 4x E14 lampholder / 4x E12 US lampholder

25W max. LED lamps recommended.

Lamps not included

TOTAL HEIGHT: 810 mm / 32"

TOTAL WIDTH: 1280 mm / 50^{1/2}"

UKCA / CE / WIRED USING US COMPONENTS

WARRANTY

10 years*

FINISHING NOTE

Our carefully selected glass and metalwork components are all hand finished by skilled artisans and as such no two products are exactly the same - something that adds to the unique charm of this product.

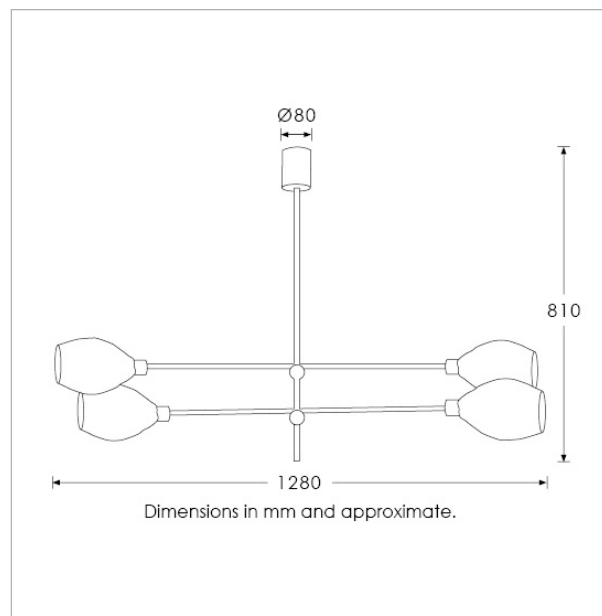
CLEANING INSTRUCTIONS

The finishes on this luminaire only require regular cleaning with a soft dry duster. Abrasive or chemical cleaners may harm the finish and should not be used.

FIXING NOTE

It is the buyer's responsibility to ensure that suitable fixings are used.

*Please refer to our Terms & Conditions for further information.



H&
CO

LIGHT BEYOND DESIGN