

SIMPLE LAMPS | CIRCULAR POD - WALL SCONCE - 400 | CIR-POD-400-WS



DESCRIPTION

An addition to our 'Circular Pod' family. This simple elegant wall-sconce based on a metal circular frame folded in half at 90 degrees. The pattern of the frame above will cast dramatic shadows on the wall above. Illuminated by 1x G9 Halogen/LED bulb within handmade clear or sandblasted pyrex glass ball with OR by 1x E12/14 or E26/E27 vintage style LED bulb.

PRODUCT SIZE

SHADE SIZE: 400 X 225W MM / TOTAL HEIGHT: 200-450MM

PACKAGING DIMENSIONS

330MM(W) X 480MM(L) X 330MM(H)



LAMP TYPE & NO

1 X G9-HALOGEN 18-40 WATT LAMPS (40W) OR 1X G9-2.5W LEDS. OR 1 X E12/14 OR E26/27 LED

CLASS II
IP RATING 20
QC RATING 21

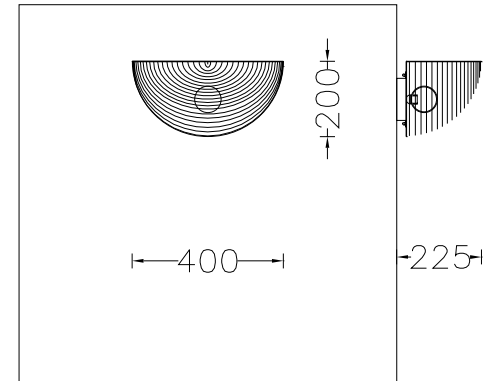
 VOLTAGE RANGE
110-240V

PRODUCT MARKS & RATINGS



WEIGHT 2.5KG
PACKED 6KG WEIGHT

TECHNICAL DRAWING



INTERACT

SELECT COLOUR

- SILVER *
- BRASS *
- COPPER *
- SMOKE *
- MIXED METALIC *
- RUST *
- WHITE
- RED
- BLACK

* METALLIC

CUSTOMISE DIMENSIONS

A

B

LAMP TYPE

QUANTITY

ADDITIONAL COMMENTS

WEB LINK 