

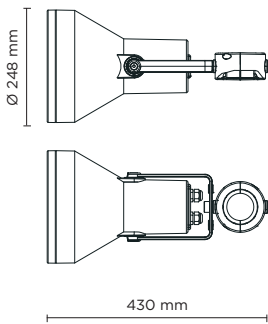


805010-805012

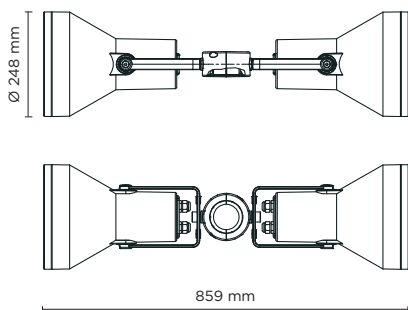
## FLASH POLE MEGA COB

Round pole-mounted floodlight for outdoor installation on a pole diam. 60 mm or 76 mm. Phospho-chromatised and polyester powder coated die-cast copper-free aluminium body, tempered safety glass, moulded silicone gasket and stainless steel screws. Clamp for pole diam 60 mm or 76 mm included. Built-in LED driver 220-240V 50-60Hz, with 1 CREE CXB 3070 COB LED. IP65 rating.

805010



805012




### Technical features



### Technical data

IP Rating	IP65
IK Rating	IK09
Material	High corrosion resistance die-cast copper-free aluminum body
Coating	Polyester powder coating with phosphochromating pre-finish
Screws	Stainless steel
Transformer	Electronic power supply 220/240V 50/60Hz built-in
Gasket	Silicone rubber
Glass	Tempered
Cable gland	Double nickel-plated brass cable gland PG11
Power cable	3 mt. neoprene power cable included



805010		<b>SINGLE FLASH POLE MEGA COB</b>		
		55 WATT 220-240V 50-60HZ ELECTRONIC		
<b>light source</b>	<b>light beam options</b>	<b>lumen output (lm)</b>	<b>lumin. efficacy (lm/w)</b>	
<b>3000°K warm-white</b>				
cob led	 35°	4.730	86.00	


#### Technical data

Wattage	55 WATT
Light source	NR. 1 CREE "CXB 3070" COB LED
Gross weight	5,50 Kg

#### Colors options

 Textured Grey RAL 9006	 Anthracite Grey RAL 7016	 Matt Black (on request)
--	---	--



805012		<b>DOUBLE FLASH POLE MEGA COB</b>		
		2 X 55 WATT 220-240V 50-60HZ ELECTRONIC		
<b>light source</b>	<b>light beam options</b>	<b>lumen output (lm)</b>	<b>lumin. efficacy (lm/w)</b>	
<b>3000°K warm-white</b>				
cob led	 35°	2 x 4.730	86.00	

#### Technical data

Wattage	2 x 55 WATT
Light source	NR. 2 x 1 CREE "CXB 3070" COB LED
Gross weight	10,50 Kg

#### Colors options

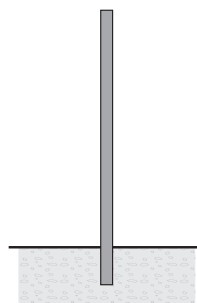
 Textured Grey RAL 9006	 Anthracite Grey RAL 7016	 Matt Black (on request)
--	---	--



## POLES & ACCESSORIES

Full technical details of poles and accessories for poles are available at the end of the catalogue

BURIED POLES	
code	h. mm.
809901	3.500
809902	4.500
809903	5.500
809909	ACC.



POLES WITH BASE-PLATE	
code	h. mm.
809904	3.000
809905	4.000
809906	5.000
809907	ACC.
809909	ACC.

