

LAMINA wall lamp

Edmondo Testaguzza design

year 2019

DATA SHEET - AP192AB INT

LAMP "A"

material	aluminum
colour	matt white

COVER "B"

material	PMMA
colour	opal

ELECTRICAL CABLE "C"

colour	red
--------	-----

ELECTRICAL SYSTEM

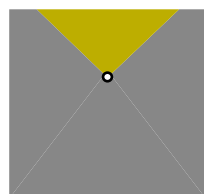
source	1x LED 12,4W, 1300lumen 3000K CRI ≥ 80 class A+
--------	---

PACKAGING

n° cartons	1
net weight/kg	0,8
gross weight/kg	1,3
packaging/cm	24x24x39

LIGHT EMISSION

unidirectional



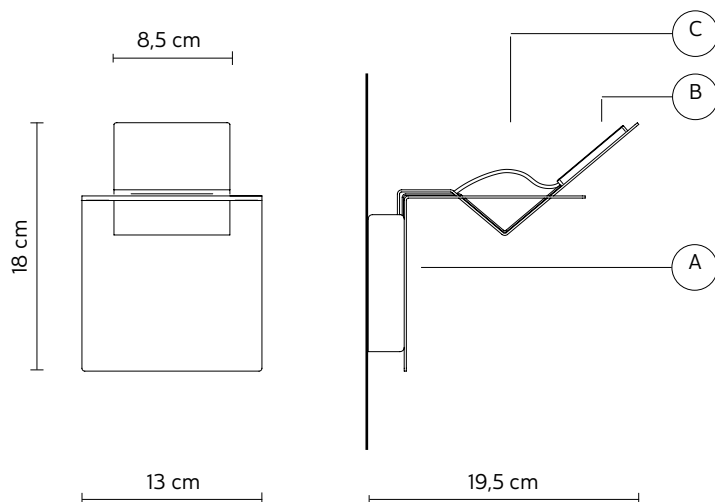
	direct
	filtered
	indirect
	absence

COMPLIANT WITH

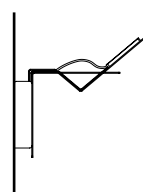
IEC	60598-1:2014
EN	60598-1:2015



degree of protection	IP20
LED	equipped



COLLECTION



AP192AB EXT