

# Mamì

Umberto Asnago 2013

Lampade con struttura in metallo nichel nero lucido o bronzo. Diffusore in vetro soffiato bianco, ambrato e fumo trasparente.

Lamps with structure in glossy black nickel metal or bronze. Shade in blown glass in white, transparent amber or fumé.

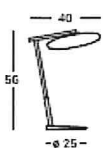

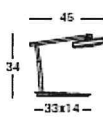
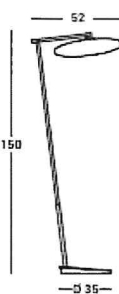
Lampen mit Struktur aus glänzendem schwarzem Nickel oder Bronze. Schirm aus geblasenem Glas in Farben weiss, transparent bernstein oder fumé.

Lampes avec structure en métal nickel noir poli ou bronze. Abat-jour en verre soufflé blanc, ambré ou fumé transparent.

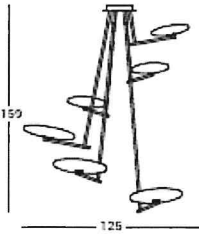
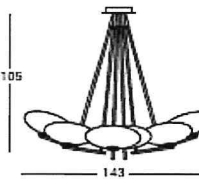
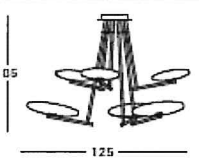
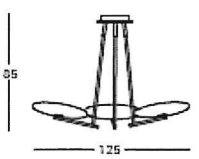
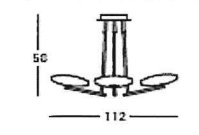
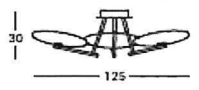

Lámparas con estructura en metal níquel negro brillante o bronce. Difusor en cristal soplado blanco, ámbar o fumé transparente.



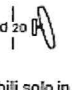
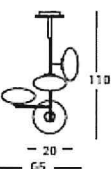
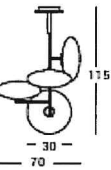
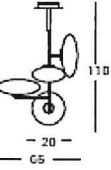
1307

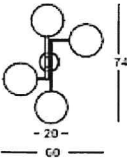
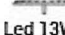
Tavolo Table

codice code		cavo elettrico cm electric cable cm	IMBALLO CM/PACKAGING CM SH = Shade ST = Structure	peso netto kg. net weight kg.	peso lordo kg. gross weight kg.	lampadina bulb
1307-03-02 LARGE		VETRO ø 30 GLASS ø 30	SH 45 x 45 x 27 h.	2,3	2,7	Led integrato/Led included
		160	ST 60 x 40 x 15 h.	6,5	7,3	Led 13W-3000K
1307-05-01 SMALL		VETRO ø 20 GLASS ø 20	SH 31 x 31 x 32 h.	1,0	1,5	Led integrato/Led included
		160 con contenitore legno compartment in american walnut	ST 48 x 48 x 24 h.	1,5	2,5	Led 8W-3000K
1307-01-01 SMALL		VETRO ø 20 GLASS ø 20	SH 31 x 31 x 32 h.	1,0	1,5	Led integrato/Led included
		160	ST 48 x 48 x 24 h.	1,5	2,5	Led 8W-3000K
1307-10-03		VETRO ø 40 GLASS ø 40	BA 39 x 39 x 22 h.	12,0	13,5	
			SH 55 x 55 x 35 h.	4	4,6	Led integrato/Led included
		180	ST 161 x 40 x 9 h.	2	3	Led 13W-3000K

Terra Floor

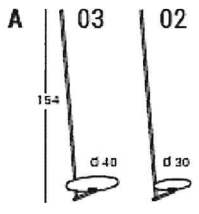
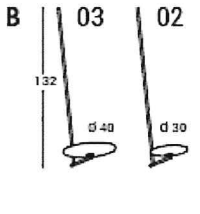
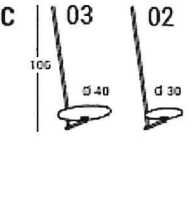
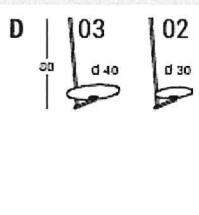
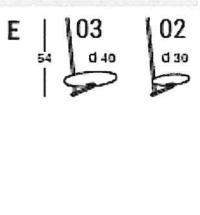
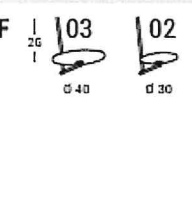
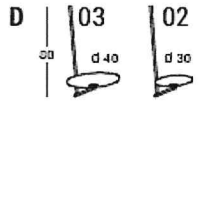
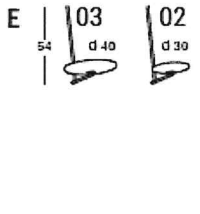
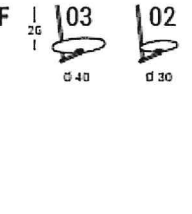



codice code		cavo elettrico cm electric cable cm	IMBALLO CM/PACKAGING CM SH = Shade ST = Structure	peso netto kg. net weight kg.	peso lordo kg. gross weight kg.	lampadina bulb	€ iva esclusa € tax not included
1307-24-23 MAXI		N° 3 VETRI Ø 30 N° 3 SHADES ø 30 N° 3 VETRI Ø 40 N° 3 SHADES Ø 40	3xSH 45 x 45 x 27 h.	2,3	2,7		
			3xSH 55 x 55 x 35 h.	4	4,6	Led integrato/Led included	
			ST 45 x 65 x 165 h.	12,5	14	Led 6x13W-3000K	
1307-25-33 EXTRA LARGE		N° 6 VETRI Ø 40 N° 6 SHADES ø 40	6xSH 55 x 55 x 35 h.	4	4,6	Led integrato/Led included	
			ST 45 x 65 x 165 h.	12,5	14	Led 6x13W-3000K	
1307-23-23 LARGE		N° 3 VETRI Ø 30 N° 3 SHADES ø 30 N° 3 VETRI Ø 40 N° 3 SHADES Ø 40	3xSH 45 x 45 x 27 h.	2,3	2,7		
			3xSH 55 x 55 x 35 h.	4	4,6	Led integrato/Led included	
			ST 45 x 65 x 90 h.	10,5	12	Led 6x13W-3000K	
1307-22-03 MEDIUM		N° 3 VETRI Ø 40 N° 3 SHADES Ø 40	3xSH 55 x 55 x 35 h.	4	4,6	Led integrato/Led included	
			ST 45 x 65 x 90 h.	7,5	9	Led 3x13W-3000K	
1307-21-02 SMALL		N° 3 VETRI Ø 30 N° 3 SHADES ø 30	3xSH 45 x 45 x 27 h.	2,3	2,7	Led integrato/Led included	
			ST 61 x 40 x 18 h.	6,5	8	Led 3x13W-3000K	
1307-41-03 LARGE		N° 3 VETRI Ø 40 N° 3 SHADES Ø 40	3xSH 55 x 55 x 35 h.	2,3	2,7	Led integrato/Led included	
			ST 61 x 40 x 18 h.	5,5	7	Led 3x13W-3000K	
1307-41-02 SMALL		N° 3 VETRI Ø 30 N° 3 SHADES ø 30	3xSH 45 x 45 x 27 h.	2,3	2,7	Led integrato/Led included	
			ST 61 x 40 x 18 h.	5,5	7	Led 3x13W-3000K	

codice code		cavo elettrico cm electric cable cm	IMBALLO CM/PACKAGING CM SH = Shade ST = Structure	peso netto kg. net weight kg.	peso lordo kg. gross weight kg.	lampadina bulb
1307-31-03 LARGE		Disponibili solo in vetro bianco Available in white glass only	SH 55 x 55 x 35 h.	4,5	5,5	Led integrato/Led included
			ST 17 x 17 x 17 h.	1,5	2,0	Led 13W-3000K
1307-31-02 MEDIUM		Disponibili solo in vetro bianco Available in white glass only	SH 45 x 45 x 27 h.	1,5	2,0	Led integrato/Led included
			ST 17 x 17 x 17 h.	2,3	2,7	Led 13W-3000K
1307-31-01 SMALL		Disponibili solo in vetro bianco Available in white glass only	SH 32 x 32 x 32 h.	1	1,5	Led integrato/Led included
			ST 17 x 17 x 17 h.	1,5	2,5	Led 8W-3000K
1307-26-01		N° 4 VETRI Ø 20 N° 4 SHADES ø 20	4xSH 32 x 32 x 32 h.	1	1,5	Led integrato/Led included
			ST 41 x 41 x 137 h.	8	10	Led 13W-3000K
1307-26-02		N° 4 VETRI Ø 30 N° 4 SHADES ø 30	4xSH 45 x 45 x 27 h.	2,3	2,7	Led integrato/Led included
			ST 41 x 41 x 137 h.	8	10	Led 13W-3000K
1307-26-04		N° 2 VETRI Ø 20 N° 2 VETRI Ø 30 N° 4 SHADES ø 20 N° 4 SHADES ø 30	2xSH 32 x 32 x 32 h.	1	1,5	Led integrato/Led included
			2xSH 45 x 45 x 27 h.	2,3	2,7	Led integrato/Led included
			ST 41 x 41 x 137 h.	8	10	Led 13W-3000K

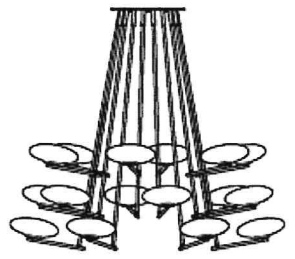
codice code	cavo elettrico cm electric cable cm	IMBALLO CM/PACKAGING CM SH = Shade ST = Structure	peso netto kg. net weight kg.	peso lordo kg. gross weight kg.	lampadina bulb
1307-42-01		4xSH 32 x 32 x 32 h. ST 30 x 45 x 65 h.	1	1,5	Led integrato/Led included  Led 13W-3000K

**SU PROGETTO A RICHIESTA / ON DEMAND**

1307-R-03 3 FORI	Nichel Nero/Bronzo Black Nickel/Bronze 
1307-R-06 6 FORI	Nichel Nero/Bronzo Black Nickel/Bronze 

1307-A-03 Ø 40		1307-B-03 Ø 40		1307-C-03 Ø 40	
1307-A-02 Ø 30		1307-B-02 Ø 30		1307-C-02 Ø 30	
1307-D-03 Ø 40		1307-E-03 Ø 40		1307-F-03 Ø 40	
1307-D-02 Ø 30		1307-E-02 Ø 30		1307-F-02 Ø 30	

**PRODUZIONE SPECIALI / CUSTOM MADE**



**A RICHIESTA: PROGETTO, PREZZI E TEMPI DI CONSEGNA**  
**ON DEMAND: PROJECT, PRICES AND DELIVERY TIME**

# Mamì

Umberto Asnago 2017

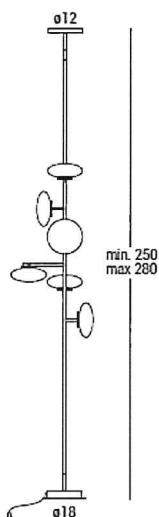

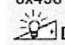
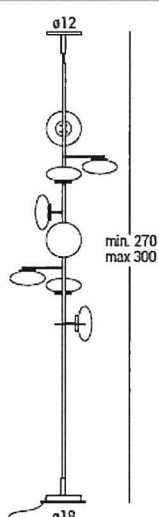


Lampada terra-soffitto estensibile con struttura in metallo bronzo o nickel nero lucido e diffusori in vetro soffiato bianco.

Extensible floor-ceiling lamp with structure in glossy black nickel metal or bronze and shades in blown white glass.

Höhenverstellbar-Steh-Deckenleuchte mit Struktur aus glänzendem schwarzem Nickel oder Bronze und Schirme aus geblasenem weissem Glas.

Lampe Sol – plafond extensible avec structure en métal nickel noir poli ou bronze et abat-jours en verre soufflé blanc.

Lámpara de pie-techo extensible con estructura en metal bronzo o níquel negro brillante y difusores en cristal soplado blanco.

codice code	cavo elettrico cm electric cable cm	IMBALLO CM/PACKAGING CM SH = Shade ST = Structure	peso netto kg. net weight kg.	peso lordo kg. gross weight kg.	lampadina bulb
<p><b>1307-27-01</b> SMALL</p> 	N° 6 VETRI ø 20 N° 6 SHADES ø 20	180	12		 6x6W - LED 3000 K* 6x450 lm  Dimmer
<p><b>1307-28-01</b> LARGE</p> 	N° 8 VETRI ø 20 N° 8 SHADES ø 20	180	14		 8x6W - LED 3000 K* 8x450 lm  Dimmer

\*Led integrato / Integrated led