

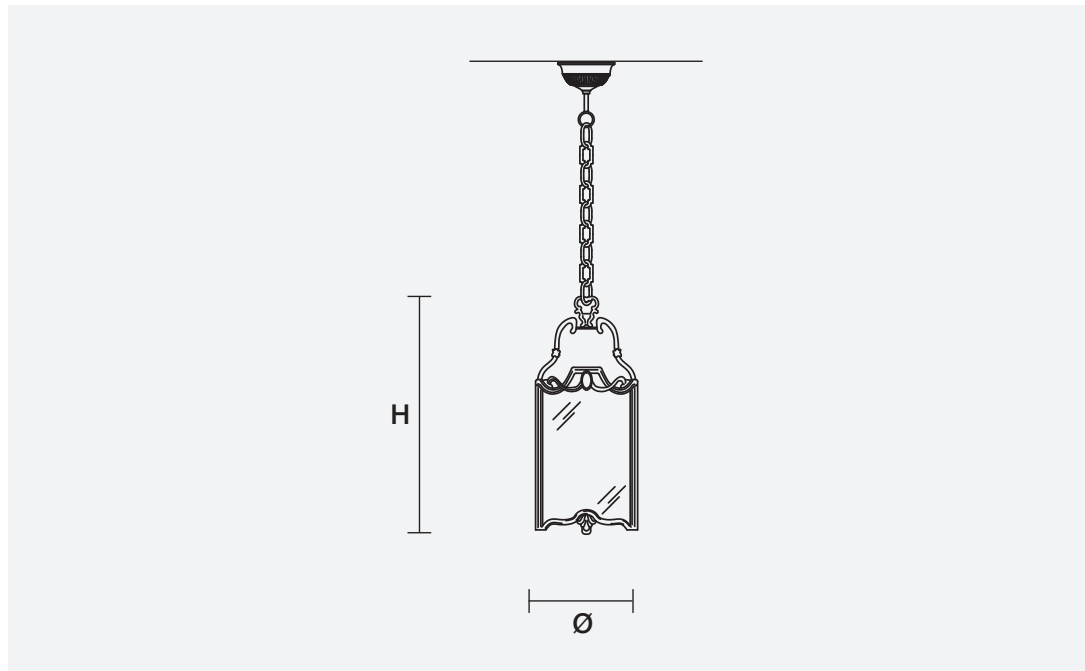
BRASS & SPOTS VE 1068 S4

Design by: Studio Stile Masiero



Telaio in ottone dorato.


Gold plated solid brass frame.



H 40 cm
15.74"

L 20 cm
7.87"

Peso: 3.80 kg

 4 x E14 x 40W max
Incandescenza/Incandescent



MATERIALI MATERIALS

CUT CRYSTAL

Pendagli in cristallo trasparente molato.

Pendants in transparent cut crystal.

SWAROVSKI® ELEMENTS

Pendagli in cristallo trasparente SWAROVSKI® ELEMENTS.

Pendants in transparent SWAROVSKI® ELEMENTS crystal.

HALF CUT GLASS

Pendagli in vetro semi-molato.

Half cut glass pendants.