

BOTERO S5

Design by Manuel Vivian

MASIERO



Bracci e coppe in poliuretano espanso con lampadina a vista; struttura portante in metallo verniciato.

Arms and cups made of polyurethane foam with an exposed bulb; supporting frame made in painted metal.

Arme und Schalen aus Polyurethanschaumstoff mit sichtbarer Glühbirne; Tragstruktur aus lackiertem Metall.

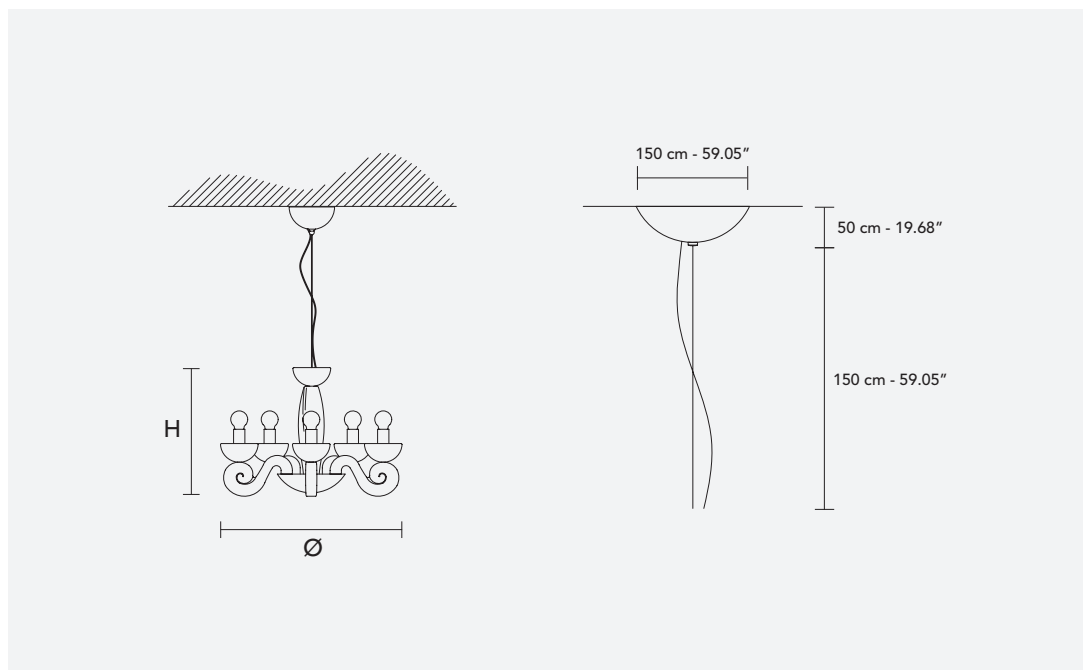
Bras et coupes en polyuréthane expansé avec ampoule visible ; structure portante en métal verni.

Рожки и плафоны с открытой лампой, изготовленные из пенополиуретана, несущий каркас из окрашенного металла.

CE UL*

H 35 cm / 13.77"
Ø 46 cm / 18.11"

5×E14×60 W max
USA 5×E12×40 W max
(not included)



* "UL" logo refers to articles which can be modified with UL-compliant components. The "UL" listing mark stands for tested and evaluated product to recognized us safety standards.