

Heathfield&Co

Product Specification Sheet

TABLE LAMP | DORI



PRODUCT INFORMATION

Base Code: TL-DORI-SBRS-WHTE

Material: Ceramic

Finish shown: Ivory

Metalwork: Satin Brass

Lampshade: 18" Coolie / SH-18-COOL

Flex: UK & EU 1.5 metres of Hessian braided flex /

US Hessian braided flex

TECHNICAL INFORMATION

Weight: 2.4kg / 5.3lbs

Plug: White 13amp UK plug /

White Schuko EU plug / White US polarised plug

Switching: White inline switch

Lamping: 1x E27 lampholder / 1x E26 US lampholder

60W max. LED lamps recommended.

Lamps not included

BASE HEIGHT: 470 mm / 18^{1/2}"

TOTAL HEIGHT: 700 mm / 27^{1/2}"

BASE WIDTH: 140 mm / 5^{1/2}"

SHADE WIDTH: 450 mm / 18"

UKCA / CE / UL COMPLIANT

WARRANTY

10 years*

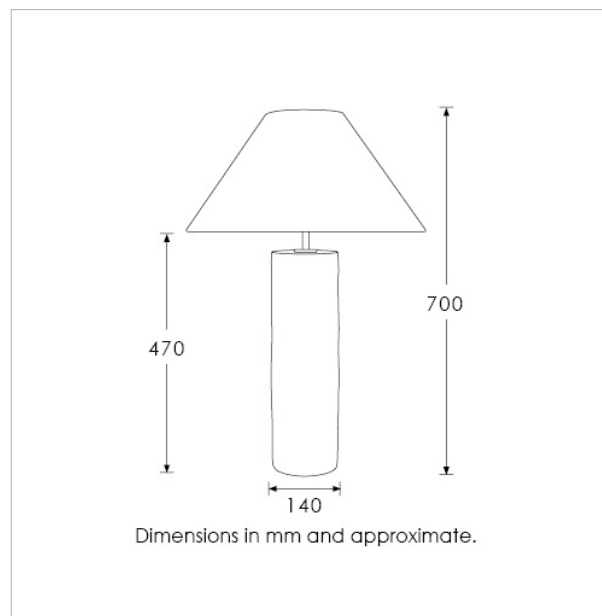
FINISHING NOTE

The ceramic glazes that we have used on this lamp will create differences from piece to piece - variations in colour, formation and detailing. As such, it is part of the charm that no two products are exactly the same.

CLEANING INSTRUCTIONS

The finishes on this luminaire only require regular cleaning with a soft dry duster. Abrasive or chemical cleaners may harm the finish and should not be used.

*Please refer to our Terms & Conditions for further information.



H&CO

LIGHT BEYOND DESIGN