

HEATHFIELD & CO

PRODUCT SPECIFICATION SHEET

Pendant | LEXINGTON OPAL JADE 24"

PENDANT

Material: Glass
Finish shown: Opal Jade
Metalwork: Polished Chrome
Code: PD-LEXI-CHRO-OPJD-024

LAMPSHADE AS SHOWN

24" Drum Dark Teal Satin
Shade lining: Silver PVC

FLEX

1.5 metres of twisted flex with colour subject to shade colour.

SWITCHING & PLUG

Hardwired

WEIGHT

7.0 kg approx.

WARRANTY

12 Months

LAMPING

5 x G9 Lampholder - 25W max. LED bulb recommended.

FIXING NOTE

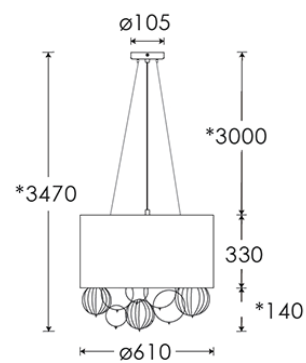
It is the buyer's responsibility to ensure that suitable fixings are used.

FINISHING NOTE

All our glasswork is hand blown and will vary from piece to piece - variations in form and proportion. Colour formation, pattern and finishing details are unique to each lamp and it is part of the charm that no two products are exactly the same.

CLEANING INSTRUCTIONS

The finishes on this luminaire only require regular cleaning with a soft dry duster. Abrasive or chemical cleaners may harm the finish and should not be used. Shade to be dusted with a clean dry cloth.



H&CO

Decorative lighting
for beautiful spaces

www.heathfield.co.uk | + 44 (0) 1732 350450 | sales@heathfield.co.uk
Unit 1, Priory Road, Tonbridge, Kent, TN9 2AF, United Kingdom