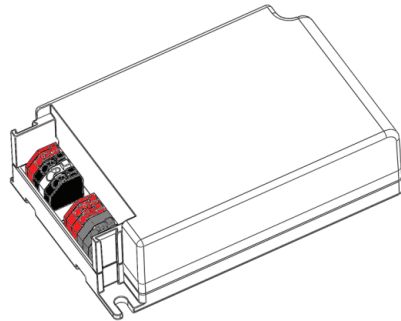
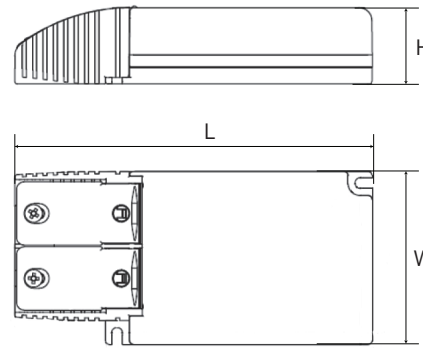
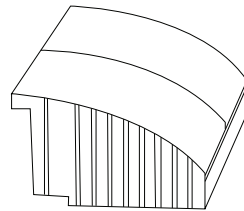


## technics

Productname	Reference	Max. Power	Output Current	Mains Voltage	Forward Voltage
LED driver, 500mA, DALI / touch DIM	kr772123	27W	500mA	220V - 240V	12V - 54Vdc



## 1 specifications

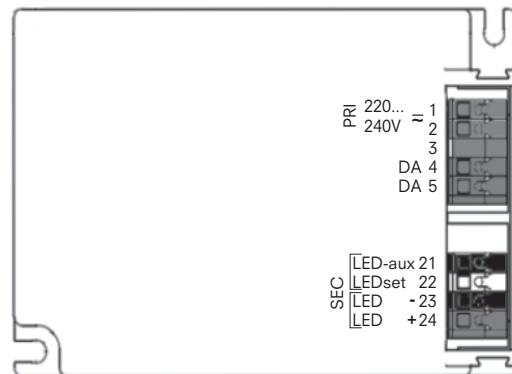


L 138mm x W 67mm x H 29.5mm

## 2 strain relief

add the supplied strain relief to the LED driver

## 3 connection



**!! ADD THE SUPPLIED RESISTOR Rset 10kOhm E48 series**

**!! ALWAYS CONNECT THE RED LED STRING TO +  
ALWAYS CONNECT THE BLACK LED STRING TO -  
ENSURE THE DRIVER HAS NOT BEEN POWERED FOR  
AT LEAST 1 MIN. BEFORE CONNECTING THE LED  
CONNECT LEDs IN SERIES AND NOT IN PARALLEL  
LOAD WIRES LENGTH: 2m MAX**