

# NANDO suspension

Luca De Bona and Dario De Meo design

ООО "Мастерская светотехники  
8 800 100 39 72  
8 495 727 14 91  
9725087@masv.ru  
http://masv.ru

year 2015

## TECHNICAL SHEET - SE109 1G INT

### STRUCTURE "A"

material metal  
colour charcoal-grey



### CEILING CUP "E"

material metal  
colour matt black

### ELECTRICAL CABLE "C"

material fabric cable  
colour black



### ELECTRICAL SYSTEM

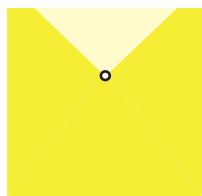
socket E27  
source max 1x77w  
energy class from E to A++

### PACKAGING

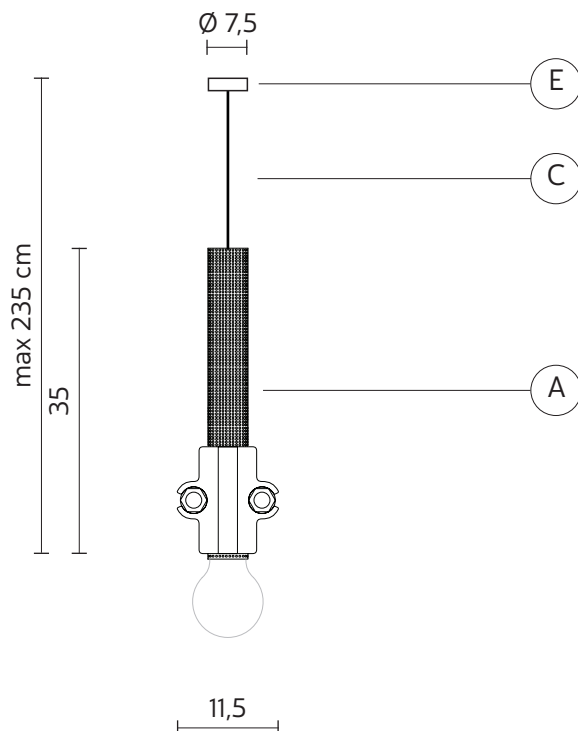
nr. of collis 1  
net weight/kg 1,7  
gross weight/kg 2  
packaging/cm 32x25x32

### EMISSION OF LIGHT

one-directional



direct  
filtered  
indirect  
none



### CERTIFICATION

IEC 60598-1:2008  
EN 60598-1:2008 + A11:2009



IP rate IP20  
bulb optional



item number **700L**  
decorative bulb  
E27 - 25w - ≤ 60 lumen  
class E

these items are special, decorative bulbs not for illumination purposes

### COLLECTION

