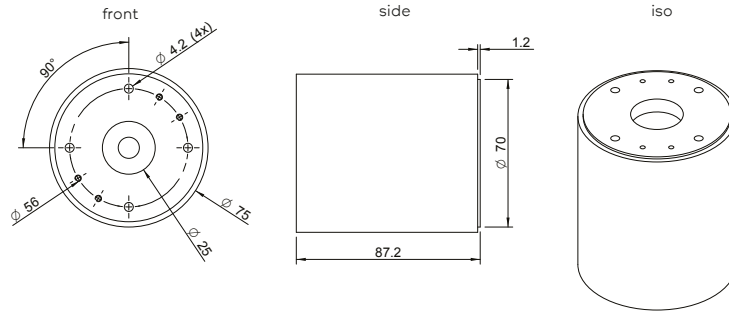


Technics

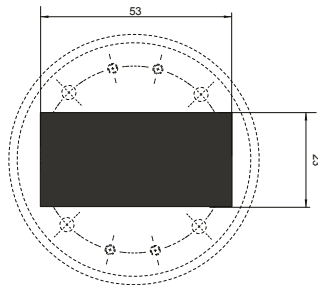


Name
Round surface mounded connection box

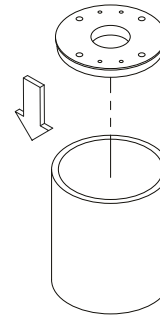
Reference
KR76339x

Please make sure the main voltage is disconnected before proceeding!

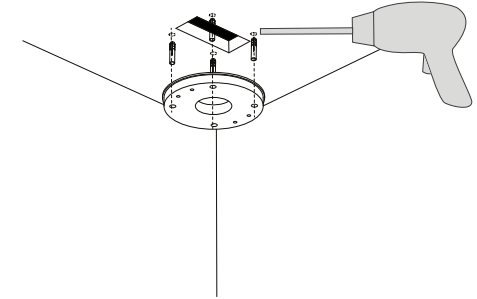
1 Dimensions



Make one rectangular hole (23x53mm) in the ceiling at the position of the power supply (see detail A row 3) for the driver. Connect a red cable to + and a black cable to - and put the driver to the hollow ceiling.

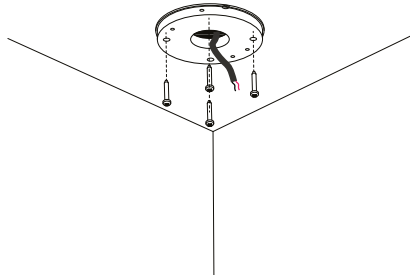


Unscrew the round tube from the installation plate.

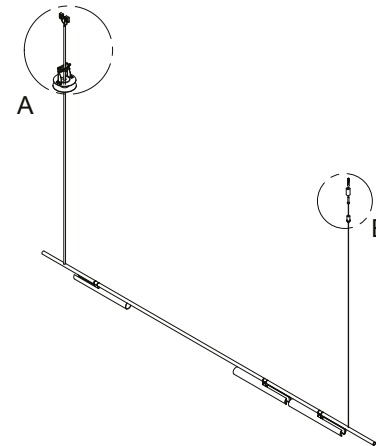


Drill four holes and insert wall plugs or other fixation parts suitable for the specific surface.

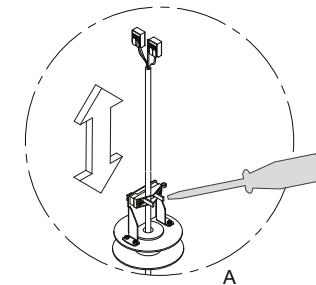
2 Installation



Pull the connection cable through the hole and fix the installation part with four screws.



Unscrew the strain relief



3 Installation

Kreon nv

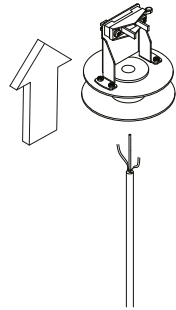
Industrieweg Noord 1152
3660 Opglabbeek
Belgium

Tel +32 89 81 97 80

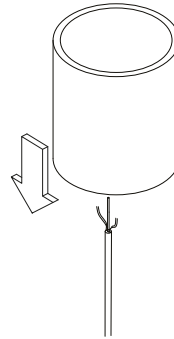
www.kreon.com
mailbox@kreon.be

revision date 09-05-2018
KR8000002255

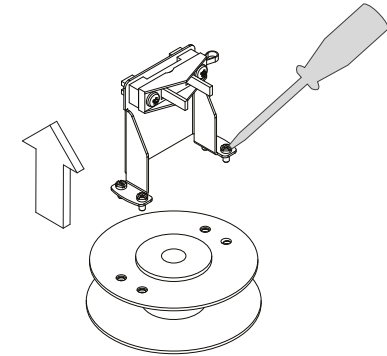
Sheet 1/2



Remove the connectors and installation bracket from the power cable.

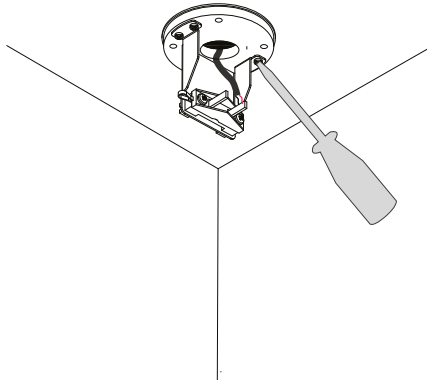


Add the round tube.

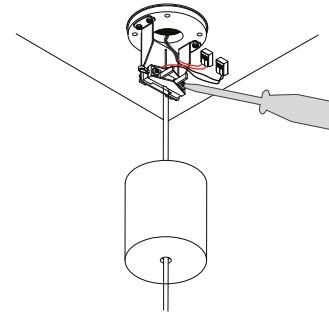


Unscrew the strain relief bracket.

4 Installation



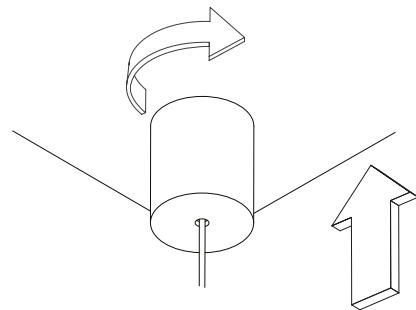
Screw the strain relief bracket to the installation plate.



Make connection to the driver with the connection clips. Connect red to red and black to black. Screw back the strain relief.

Important:
always check the polarity!!
+= red wire
- = black wire

5 Installation



For further installation see
installation manual
KR8000002254

6 Installation

Screw the tube on the installation plate.