

boverinfo@boverusa.com
www.boverusa.com

Siam - 6 Luces

Name: Siam - 6 Luces

Design: Joana Bover / 2010

Typology: Pendant lamp

Environment: Indoor

Technical description:

Ceiling lamp providing diffused light through a translucent shade composed of hand wrapped polyester blend ribbon, with structure finished in satin nickel. Ribbon colors are available in white, cream and red. Frosted white polycarbonate diffuser is included. The Siam limbs can be adjusted and moved to create stylish combinations according to the clients' needs. Horizontal arms can be adjusted into the desired position and them locked to prevent movement.


**Lamps description**

 Grounding: compulsory

 18 x 20 W E26 Triple CFL

 18 x 10 W E26 A19 LED


Voltage: 120V~60Hz

 1 Box 41.34 x 37.40 x 49.21 inches

Vol.: 44.034 ft³

Weight: 103.62 lbs

Certifications:  

 Photometrics made according to the position the lights are shown in the catalogue and price list.

Ref Finishings

4632005U Satin Nickel Structure

Lampshade: 31.50" x 7,09"

P-686CU White Translucent Ribbon

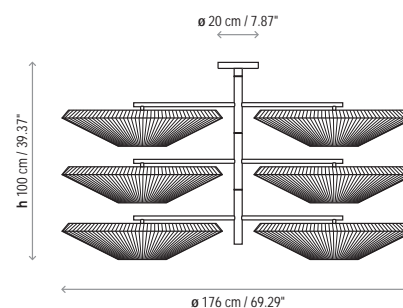
P-687CU Cream Translucent Ribbon

P-688CU Red Translucent Ribbon

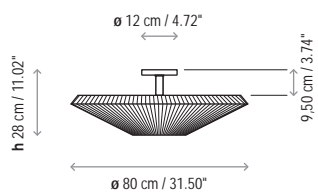
This ceiling lamp can be mounted to create several group or individual formations. In addition, the Siam limbs can be adjusted and moved to create stylish combinations according to the clients' needs.

Horizontal arms can be adjusted into the desired position and then locked to prevent movement.

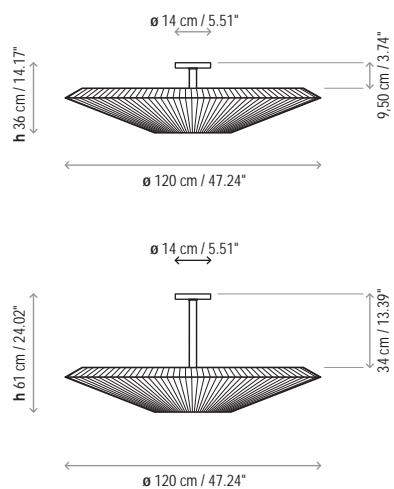
Customizable

Measures

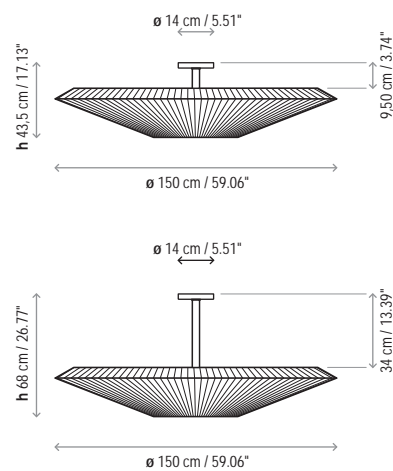
Siam - 80



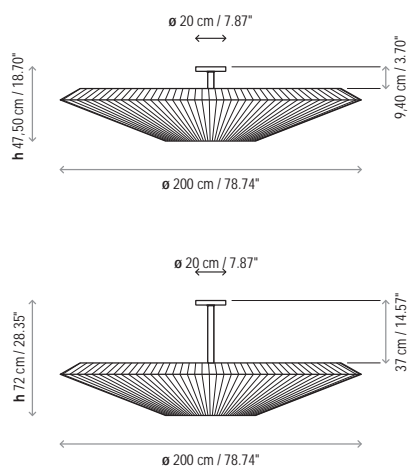
Siam - 120



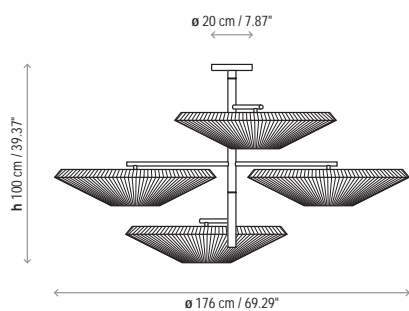
Siam - 150



Siam - 200



Siam - 4 Luces



Siam - 6 Luces

