

Design
ASZ Architetti

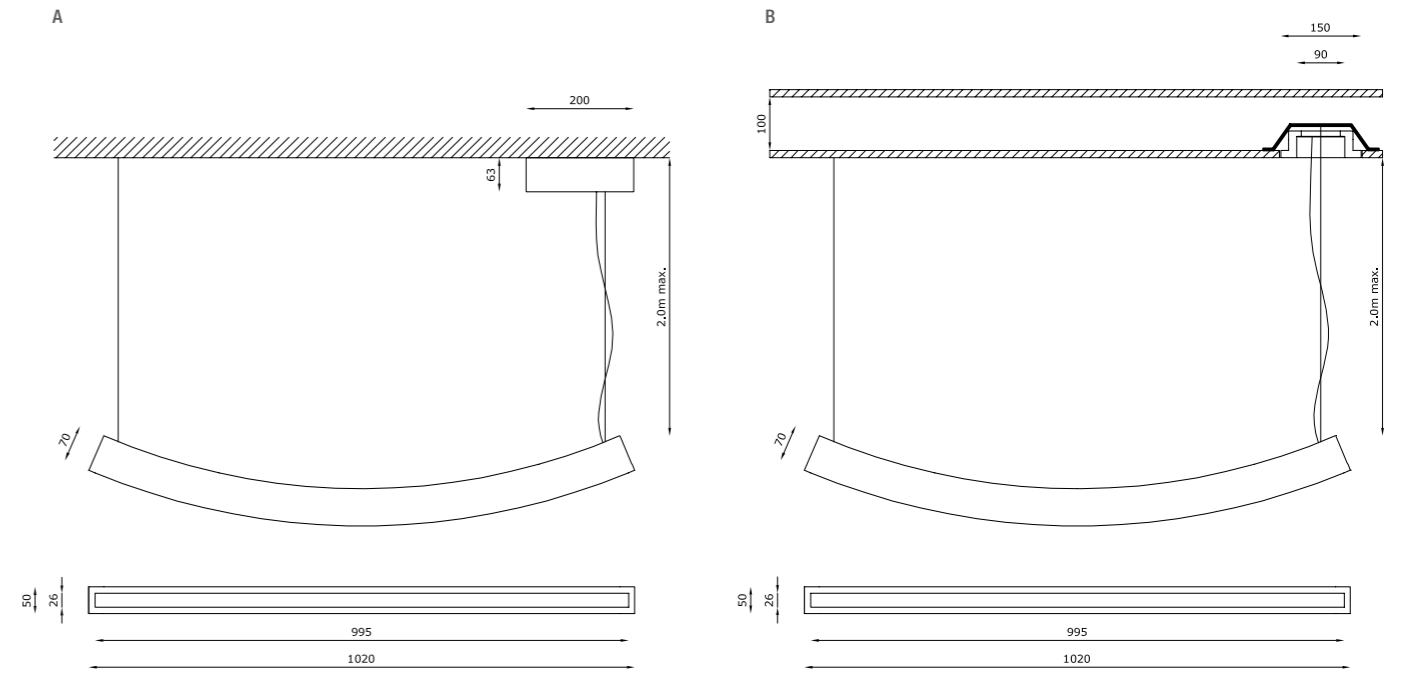
ZEN



Zen è una lampada a sospensione da interni in AirCoral® fornita di LED 30W ad altissima efficienza, dalla tecnologia esclusiva e dalle forme particolari, in cui la materia si piega al servizio dell'architettura: dotato di uno schermo in policarbonato satinato in grado di creare una luce soffusa e omogenea. Zen è una linea di luce sottile di soli 26 mm, attraverso cui il prodotto diventa protagonista e impreziosisce gli ambienti. Disponibile con cassetta a soffitto verniciata bianca oppure con incasso a scomparsa totale per alloggiare il driver nel controsoffitto.

Zen is a suspended indoor luminaire made of AirCoral® with high-efficiency 30W LED, with an exclusive technology and a particular shape, where substance bends at the service of architecture: equipped with a satin polycarbonate screen that creates a suffused and consistent light, Zen is fine line light of just 26 mm, through which the product is protagonist, enhancing the rooms. Available with a white-painted ceiling case or with a recessed housing, that allows to place the driver in the false ceiling.

Surface



TECHNICAL FEATURES

| Code | 1451.AC (fig. A) | 1452.AC (fig. B) |
|--------------------------|--|--|
| Type | Suspension lamp | Suspension lamp |
| Material | AC: AirCoral® | AC: AirCoral® |
| Absorption capacity* | 13.54 m ² | 13.54 m ² |
| Mounting | Ceiling mounting | Ceiling mounting |
| IP rating | IP40 | IP40 |
| Insulation class | III | III |
| Control gear | Constant voltage LED driver | Constant voltage LED driver |
| Cut out for plasterboard | - | Ø 160 mm |
| Lamp type | LED 24V | LED 24V |
| Lamp wattage | 1 x 30W | 1 x 30W |
| Luminous efficacy | 3150 lm | 3150 lm |
| Light distribution | Wide beam 120° | Wide beam 120° |
| Fitting | - | - |
| Light colour | White 3000K | White 3000K |
| Voltage connection | 220-240V · 50/60Hz | 220-240V · 50/60Hz |
| CRI | >80 | >80 |
| Emergency | - | - |
| Energy efficiency class | A++ | A++ |
| Note | Cable L max 2 m. White box ceiling for LED driver. Satin polycarbonate screen. | Cable L max 2 m. Recessed box of total disappearance for LED driver. Satin polycarbonate screen. |

