

# Heathfield&Co

## Product Specification Sheet

TABLE LAMP | ALAMO



### PRODUCT INFORMATION

Base Code: TL-ALAM-ABRS-ALAB

Material: Alabaster

Finish shown: Alabaster

Metalwork: Antique Brass

Lampshade: 14" Flat Drum / SH-14-FLDR

Flex: UK & EU 1.5 metres of Ivory twisted flex /

US Ivory braided flex

### TECHNICAL INFORMATION

Weight: 5.6kg / 12.3lbs

Plug: White 13amp UK plug /

White Schuko EU plug / White US polarised plug

Switching: White inline switch

Lamping: 1x E27 lampholder / 1x E26 US lampholder

60W max. LED lamps recommended.

Lamps not included

BASE HEIGHT: 450 mm / 17<sup>3/4</sup>"

TOTAL HEIGHT: 650 mm / 25<sup>1/2</sup>"

BASE WIDTH: 155 mm / 6"

SHADE WIDTH: 355 mm / 14"

UKCA / CE / UL COMPLIANT

### WARRANTY

10 years\*

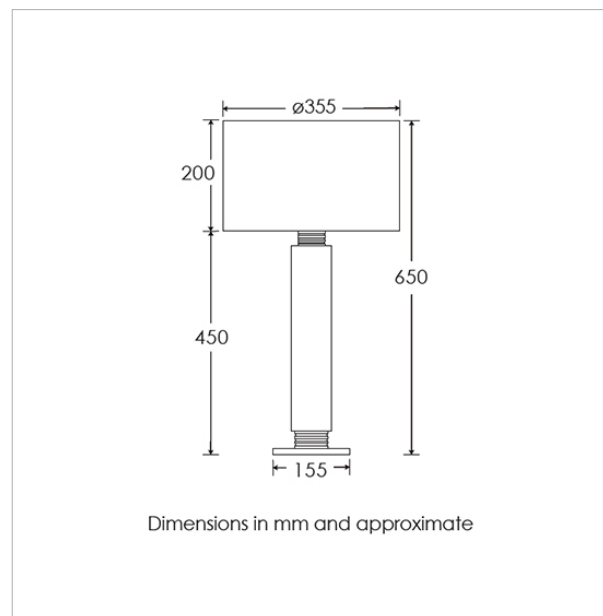
### FINISHING NOTE

Alabaster is a natural material with distinctly unique formations, markings and colouration. It is part of its charm that no two lamps are exactly the same.

### CLEANING INSTRUCTIONS

The finishes on this luminaire only require regular cleaning with a soft dry duster. Abrasive or chemical cleaners may harm the finish and should not be used. Shade to be dusted with a clean dry cloth.

\*Please refer to our Terms & Conditions for further information.



H&  
CO

LIGHT BEYOND DESIGN