

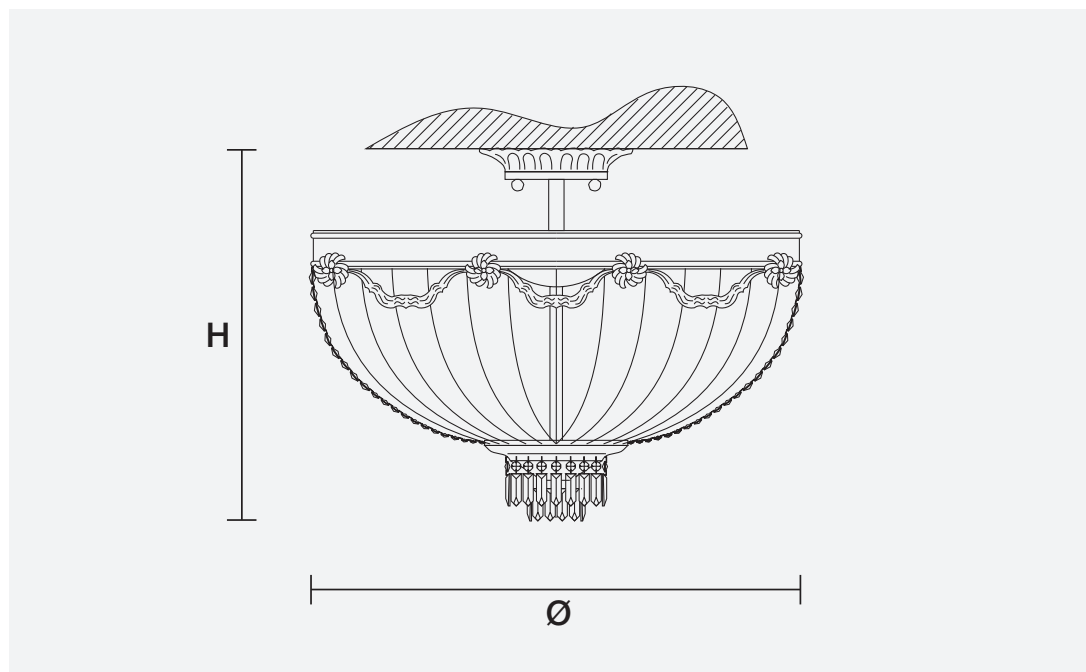
IMPERO-DECO VE 818 PL18

Design by: Studio Stile Masiero



Telaio in metallo dorato, pendagli in cristallo.


Gold plated metal frame, crystal pendants.



H 75 cm
29.60"

Ø 100 cm
39.37"

Peso: 42.5 kg

 18 x E27 x 60W max
Incandescenza/Incandescent



MATERIALI MATERIALS

CUT CRYSTAL

Pendagli in cristallo trasparente molato.

Pendants in transparent cut crystal.

SWAROVSKI® ELEMENTS

Pendagli in cristallo trasparente SWAROVSKI® ELEMENTS.

Pendants in transparent SWAROVSKI® ELEMENTS crystal.

HALF CUT GLASS

Pendagli in vetro semi-molato.

Half cut glass pendants.