

# 2 FOLDED CIRCLES | BOTTOMFOLD - WALL SCONCE - 170 | BOTTOMFOLD-170-WS



## DESCRIPTION

This very simple petite wall-sconce based on 2 circles folded at 90 degrees to one another, with the wall plate above the light. Illuminated by 1x G9 Halogen/LED bulb within handmade clear or sandblasted pyrex glass ball with OR by 1x E27 vintage style LED bulb.

## PRODUCT SIZE

SHADE SIZE: 170 X 220W MM / TOTAL HEIGHT: 400MM

## PACKAGING DIMENSIONS

310MM(W) X 310MM(L) X 350MM(H)



## LAMP TYPE & NO

1 X G9-HALOGEN 18-40 WATT LAMPS (40W) OR 1X G9-2.5W LEDS. OR 1 X E12/14 OR E26/27 LED

CLASS II  
IP RATING 54  
QC RATING 32

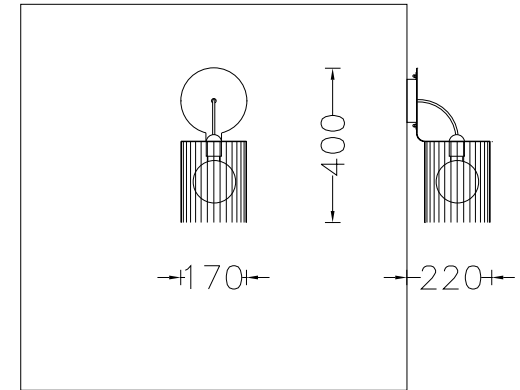
 VOLTAGE RANGE  
110-24-V

PRODUCT MARKS & RATINGS



WEIGHT 2KG  
PACKED 4KG  
WEIGHT

## TECHNICAL DRAWING



## INTERACT

### SELECT COLOUR

- SILVER \*
- BRASS \*
- COPPER \*
- SMOKE \*
- MIXED METALIC \*
- RUST \*
- WHITE
- RED
- BLACK

\* METALLIC

### CUSTOMISE DIMENSIONS

A

B

### LAMP TYPE

QUANTITY

### ADDITIONAL COMMENTS

WEB LINK 