

Heathfield&Co

Product Specification Sheet

TABLE LAMP | ADORA AMBER SMOKE



PRODUCT INFORMATION

Base Code: TL-ADOR-ABRS-AMSK

Material: Glass

Finish shown: Amber Smoke

Metalwork: Antique Brass

Lampshade: 16" Flat Drum / SH-16-FLDR

Flex: UK & EU 1.5 metres of Black twisted flex /

US Black braided flex

TECHNICAL INFORMATION

Weight: 4.5kg / 9.9lbs

Plug: Black 13amp UK plug /

Black Schuko EU plug / Black US polarised plug

Switching: Black inline switch

Lamping: 1x E27 lampholder / 1x E26 US lampholder

60W max. LED lamps recommended.

Lamps not included

BASE HEIGHT: 390 mm / 15¹/₂"

TOTAL HEIGHT: 620 mm / 24¹/₂"

BASE WIDTH: 285 mm / 11¹/₄"

SHADE WIDTH: 405 mm / 16"

UKCA / CE / UL COMPLIANT

WARRANTY

10 years*

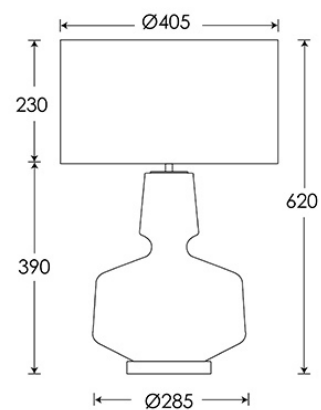
FINISHING NOTE

All our glasswork is hand blown and will vary from piece to piece - variations in form and proportion. Colour formation, pattern and finishing details are unique to each lamp and it is part of the charm that no two products are exactly the same.

CLEANING INSTRUCTIONS

The finishes on this luminaire only require regular cleaning with a soft dry duster. Abrasive or chemical cleaners may harm the finish and should not be used. Shade to be dusted with a clean dry cloth.

*Please refer to our Terms & Conditions for further information.



Dimensions in mm and approximate.

H&CO

LIGHT BEYOND DESIGN

Heathfield&Co

Product Specification Sheet

TABLE LAMP | ADORA ANTIQUE



PRODUCT INFORMATION

Base Code: TL-ADOR-ABRS-ANTI

Material: Glass

Finish shown: Antique

Metalwork: Antique Brass

Lampshade: 16" Flat Drum / SH-16-FLDR

Flex: UK & EU 1.5 metres of Black twisted flex /

US Black braided flex

TECHNICAL INFORMATION

Weight: 4.5kg / 9.9lbs

Plug: Black 13amp UK plug /

Black Schuko EU plug / Black US polarised plug

Switching: Black inline switch

Lamping: 1x E27 lampholder / 1x E26 US lampholder

60W max. LED lamps recommended.

Lamps not included

BASE HEIGHT: 390 mm / 15¹/₂"

TOTAL HEIGHT: 620 mm / 24¹/₂"

BASE WIDTH: 285 mm / 11¹/₄"

SHADE WIDTH: 405 mm / 16"

UKCA / CE / UL COMPLIANT

WARRANTY

10 years*

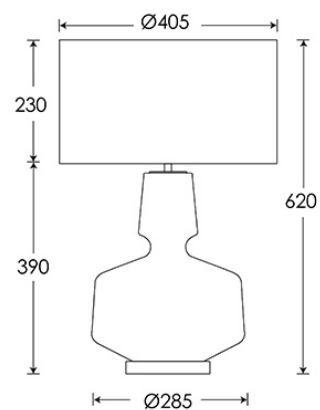
FINISHING NOTE

All our glasswork is hand blown and will vary from piece to piece - variations in form and proportion. Colour formation, pattern and finishing details are unique to each lamp and it is part of the charm that no two products are exactly the same.

CLEANING INSTRUCTIONS

The finishes on this luminaire only require regular cleaning with a soft dry duster. Abrasive or chemical cleaners may harm the finish and should not be used. Shade to be dusted with a clean dry cloth.

*Please refer to our Terms & Conditions for further information.



H&CO

LIGHT BEYOND DESIGN