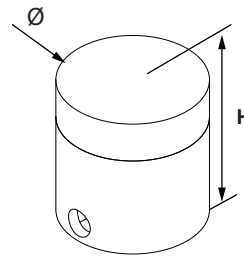
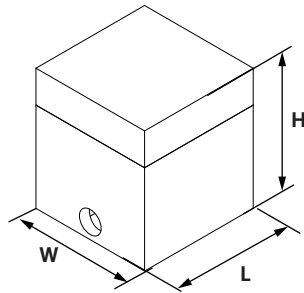


<p>technics</p>	<ul style="list-style-type: none"> - the fixture is IP67 rated - the fixture is water- and dust tight - water should be able to flow of the product once installed - when installed in solid ground (with or without matchbox) additional drainage must be provided (for example: a bed of gravel) - make sure the coating of the fixture (of the housing or other parts of the fixture) is not damaged during installation or maintenance work: the damage can result in corrosion after contact with water - the fixture should not be placed in road lanes, it should not be exposed to strain due to braking, acceleration and change of direction - in order for the product to take pressure load, a proper foundation for the fixture should be provided by the client - it is recommended to use the fixture in ground with a pH value between 5 and 8
<p>1 precaution</p>	<ul style="list-style-type: none"> - client should under no circumstances open the fixture themselves, in case of a problem, the fixture needs to be send back to Kreon



name	reference	WxLxH Ø xH
matchbox square	KR752103	85x85x95
matchbox circular	KR752603	Ø 85x95

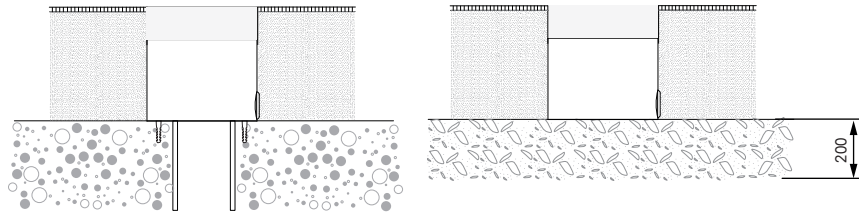
Please make sure that main voltage is disconnected before proceeding! ⚡

THE POLYSTYRENE MOLD IS NECESSARY TO COMPLETE THE INSTALLATION, DO NOT THROW IT AWAY!

<p>2 dimensions</p>	<p>IMPORTANT NOTE - HEIGHT OF MATCHBOX/POSITION OF THE PRODUCT The complete height (and therefor the depth in the ground) of the product is determined by the matchbox + fixture itself (which can only be installed after the matchbox is poured in and has dried)</p> <div style="display: flex; justify-content: space-around;"> <div data-bbox="443 965 985 1468"> <p>IN CASE OF MINI UP OUTDOOR</p> <p>height of the matchbox + mini up outdoor fixture = 90,7mm Mind the height of the matchbox including the polystyrene mold is 95mm. So the top of that mold cannot be used as a reference for the depth of the floor.</p> </div> <div data-bbox="996 965 1579 1468"> <p>IN CASE OF MINI UP IN LINE</p> <p>height of the matchbox + mini up outdoor fixture = 92,2mm Mind the height of the matchbox including the polystyrene mold is 95mm. So the top of that mold cannot be used as a reference for the depth of the floor.</p> </div> </div>		<p>Take into account that if the floor depth exceeds the height of 90,7-92,2mm it will be necessary to fill out from underneath the matchbox until the exact height is reached. Make sure not to close the large hole at the bottom of the matchbox</p>
<p>remark</p>	<p style="text-align: right;">KR8520002012 Sheet 1/2</p>		

IMPORTANT NOTE - DRAINAGE FOR OUTDOOR USE

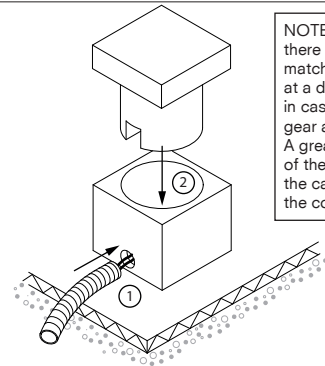
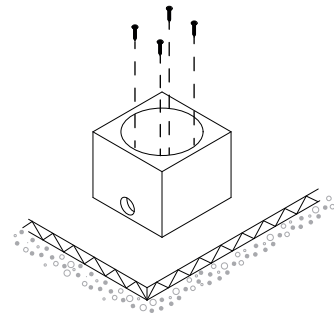
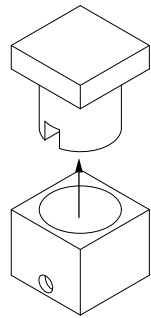
Proper drainage must be provided in the foundation so that water can drain of



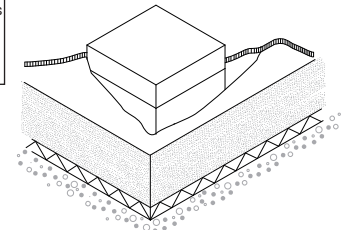
3 installation

in case of concrete foundation
provide a tube which can drain the water of

in case of soil
provide a 200mm layer of gravel underneath the matchbox
to drain the water of



NOTE:
there is no room for the gear inside the matchbox, so the gear needs to be placed at a distance, where it still can be reached in case of a problem. Max. distance between gear and fixture = 5m
A greater distance might cause RFI, check specifications of the driver supplier
the cable entering the matchbox must be for the connection between gear and fixture



installation

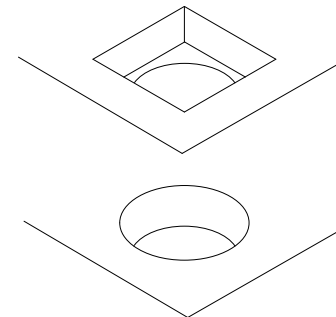
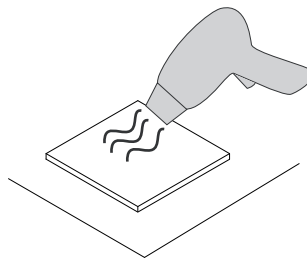
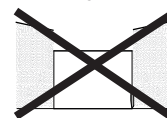
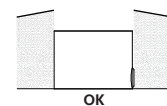
pull the foam out of the matchbox don't throw it away!!

fix the matchbox through the holes (3,5mm) on the floor fill up if necessary (see previous page)

use a 5/8" (16mm) tube for the cabling, put it in the hole of the matchbox (push it through the hole for ± 10 mm). place the foam back afterwards

pour the floor and finish the top

NOTE



remove the polystyrene mold by pulling it out or melting it (use for instance a blow torch)

for installation of the fixture, see manual included with the fixture (KR8520002011)

installation

kreon nv

Industrieweg Noord 1152
B 3660 Opglabbeek
Belgium

Tel +32 89 81 97 80
Fax + 32 89 81 97 90

www.kreon.com
mailbox@kreon.be

KR8520002012
revision date: 19/12/2016

Sheet 2/2